

Borso Comphousing

Stainless Steel Filter Housing for Gas Filtration



Borso Comphousing stainless steel filter housings, which are available in 18 different sizes, are used for the purification of compressed air and other gases.

The optimized construction of the Borso Comphousing offers low differential pressure at high flow rates.

Application

- ▶ Chemical
- ▶ Aseptic packing
- ▶ Pharmaceutical
- ▶ Biotechnology
- ▶ Cosmetics
- ▶ Breweries
- ▶ Dairies
- ▶ Food and beverages
- ▶ Water treatment systems
- ▶ Fermentation processes



Features and Benefits

▶ Various size options available

18 different sizes for operating volumes from 60 Nm³/h (0.38 lb/ft³) to 23,040 Nm³/h (146.67lb/ft³) related to 7bar (101.5psi).

▶ Compliant

Complies to the requirements of the European directive 2014/68/EU for pressure vessels.

▶ Safe installation

Plug connection guarantees that the elements remain safely fixed at all times.

▶ Filter flexibility

Different element sizes can be installed due to the modular design.



Specification

Materials of Manufacture

Filter housing	: Stainless steel 1.4301 (304) or 1.44.04 (316L).
Coupling nut	: Stainless steel 1.4301 (304).
Plug	: Stainless steel 1.4301 (304).
Housing gasket	: EPDM (other gasket upon request).

Connection Types

BSP Thread connection	: Standard for 0006 - 0288 single housing.
DIN Flange	: Standard, starting at 0432 multiple housing.

Welded ends, other connections and larger housings available on request.

Maximum Operating Pressure

0006 - 0192	: 16bar (232psi).
0288	: 12bar (174psi).
0432 - 1920	: 10bar (145psi).

Maximum Operating Temperature

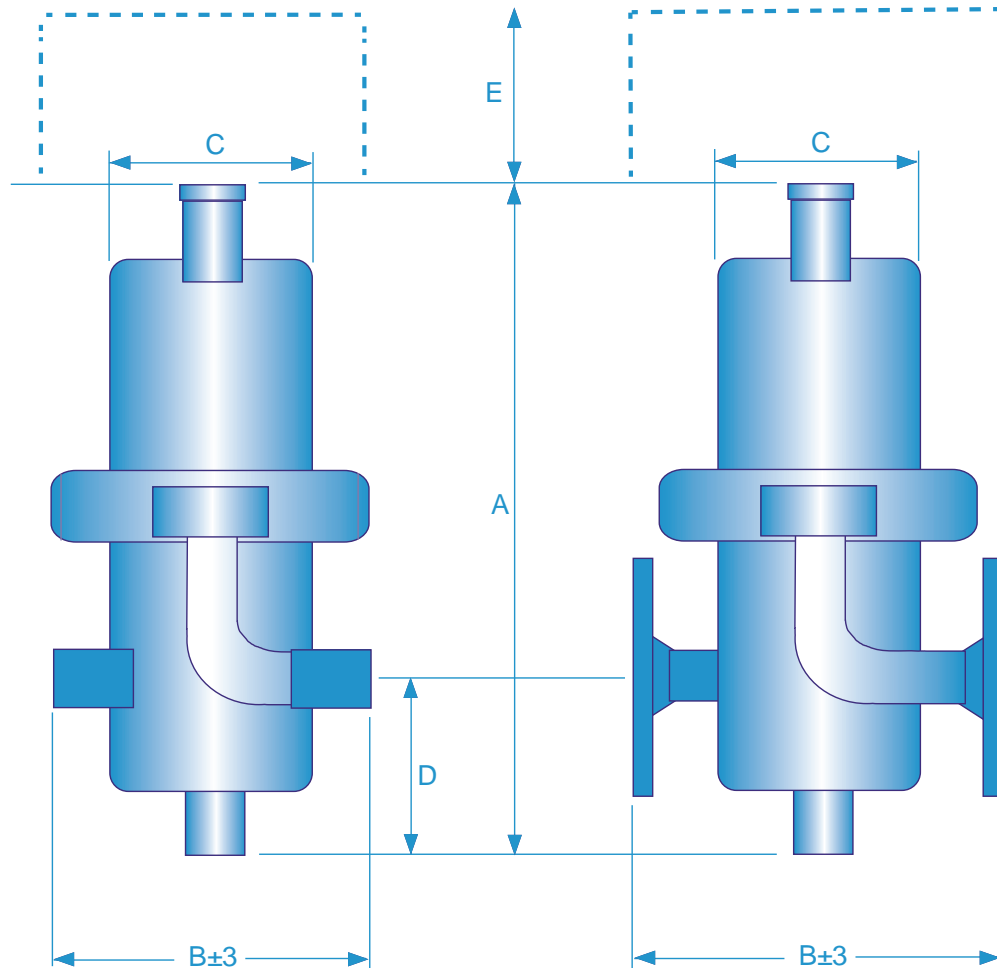
200°C (392°F).

Surface Finish

Inner	: Etched and passivated Ra 1,6: 0006 - 0288 / 0432 - 1920.
Outer	: Etched, passivated and polished Ra 1,6: 0006 - 0288. Etched and passivated (not polished) 0432 - 1920.

Threaded BSP Socket

Flanged DN2633



Specification

Type BCSS	Volume flow at 7 bar m ³ /h (102psi ft ³ /h)		Connection		Gr.	Anz.
	Nom.	Max.	Threaded	DIN2633		
0006	60 (2,119)	90 (3,178)	R 1/4"	DN 10	03/10	1
0009	90 (3,178)	120 (4,238)	R 3/8"	DN 10	04/10	1
0012	120 (4,238)	180 (6,357)	R 1/2"	DN 15	04/20	1
0018	180 (6,357)	270 (9,535)	R 3/4"	DN 20	05/20	1
0027	270 (9,535)	360 (12,713)	R 1"	DN 25	05/25	1
0036	360 (12,713)	480 (16,951)	R1 1/4"	DN 32	07/25	1
0048	480 (16,951)	720 (25,427)	R1 1/2"	DN 40	07/30	1
0072	720 (25,427)	1,080 (38,140)	R 2"	DN 50	10/30	1
0108	1,080 (38,140)	1,440 (50,853)	R 2"	DN 50	15/30	1
0144	1,440 (50,853)	1,920 (67,804)	R2 1/2"	DN 65	20/30	1
0192	1,920 (67,804)	2,880 (101,706)	R 3"	DN 80	30/30	1
0288	2,880 (101,706)	4,320 (152,560)	R 3"	DN 80	30/50	1
0432	4,320 (152,560)	5,760 (203,412)		DN 100	20/30	3
0576	5,760 (203,412)	7,680 (271,217)		DN 100	30/30	3
0768	11,520 (506,825)	15,360 (542,433)		DN 150	30/30	4
1152	7,680 (271,217)	11,520 (506,825)		DN 150	30/30	6
1536	15,360 (542,433)	19,200 (678,042)		DN 200	30/30	8
1920	19,200 (678,042)	23,040 (813,650)		DN 200	30/30	10

Type BCEG	Dimensions in mm (in)						Weight in kg (lb)
	A	B(Threaded)	B(DIN2633)	C	D	E	
0006	215 (8.46)	105 (4.13)	180 (7.1)	70 (2.76)	55 (2.16)	90 (3.54)	1.7 (3.7)
0009	243 (9.57)	105 (4.13)	180 (7.1)	70 (2.76)	55 (2.16)	120 (4.72)	1.9 (4.2)
0012	243 (9.57)	108 (4.25)	180 (7.1)	70 (2.76)	55 (2.16)	120 (4.72)	1.9 (4.2)
0018	266 (10.5)	125 (4.92)	202 (7.95)	70 (2.76)	55 (2.16)	150 (5.90)	2.0 (4.4)
0027	293 (11.5)	125 (4.92)	212 (8.34)	85 (3.35)	74 (2.91)	150 (5.90)	2.6 (5.7)
0036	344 (13.5)	140 (5.51)	220 (8.66)	85 (3.35)	74 (2.91)	200 (7.87)	3.0 (6.6)
0048	386 (15.2)	170 (6.69)	254 (10)	104 (4.09)	94 (3.70)	200 (7.87)	4.3 (9.5)
0072	460 (18.1)	170 (6.69)	260 (10.24)	104 (4.09)	94 (3.70)	280 (11.0)	4.8 (10.6)
0108	587 (23.1)	170 (6.69)	260 (10.24)	104 (4.09)	94 (3.70)	450 (17.7)	5.3 (11.7)
0144	732 (28.8)	216 (8.50)	290 (11.42)	129 (5.08)	106 (4.17)	580 (22.8)	9 (19.8)
0192	987 (38.9)	216 (8.50)	300 (11.81)	129 (5.08)	106 (4.17)	850 (33.5)	10.8 (23.8)
0288	1,026 (40.4)	240 (9.45)	340 (13.39)	154 (6.06)	119 (4.68)	850 (33.5)	16.2 (35.7)
0432	1,090 (42.9)	410 (16.1)	410 (16.14)	219 (8.62)	200 (7.87)	580 (22.8)	43 (94.8)
0576	1,350 (53.1)	410 (16.1)	410 (16.14)	219 (8.62)	200 (7.87)	850 (33.5)	44 (97)
0768	1,410 (55.5)	480 (18.9)	480 (18.9)	273 (10.7)	240 (9.45)	850 (33.5)	70 (154.3)
1152	1,460 (57.5)	540 (21.3)	540 (21.26)	324 (12.8)	250 (9.84)	850 (33.5)	80 (176.4)
1536	1,600 (63.0)	660 (26.0)	660 (25.98)	406 (16.0)	300 (11.8)	850 (33.5)	135 (297.6)
1920	1,600 (63.0)	660 (26.0)	660 (25.98)	406 (16.0)	300 (11.8)	850 (33.5)	135 (297.6)

Product Innovation, Manufacturing and Testing

We understand that product development involves building multidiscipline teams, not only within the company, but often in partnership with our customers, improving project efficiency and ensuring complete customer satisfaction. This continuous development of products and materials is vital, to enable us to offer new and better solutions to applications. Van Borselen Filters has implemented various methodologies to drive out waste and process variance across the company to achieve the ultimate goal of zero defects.

We have a dedicated team of scientists, engineers, production and quality professionals working towards the best possible filtration solutions for our customers. We have a fully equipped test house and laboratory, and our experienced design engineers use the latest AutoCAD® technology, with 3D solid modelling, integrated with a finite cartridge analysis system to give full structural assurance capability.

Quality Assurance

Quality is at the heart of every stage of our operation and a fundamental part of our culture. We are ISO9001 approved at all of our manufacturing facilities and hold many other accreditations for the various industries we serve.

Van Borselen Filters

Tel: +31 (0)79-3412314

Fax: 079-3412892

PO Box: 3 - 2700 AA Zoetermeer

E-mail: info@vanborselen.nl

KVK nr.: Register Haaglanden 27103715

BTW/VAT-Nr.: NL005625452B01

Argonstraat 66, Zoetermeer

www.vanborselen.nl

VAN BORSELEN FILTERS

